

Front Suspension:

Ride Height:	14mm	
Camber:	-1	
Toe:	0	
Anti-Roll Bar:	1.5mm	
Wheelbase Shim:	Shim to the back	
Wheel Hex:	5.0mm	
Caster Block:		
7° <input checked="" type="checkbox"/>	10° <input type="checkbox"/>	13° <input type="checkbox"/>
Notes:	Stock towers	
Optional ASC92104 steering rack rear hole		

Axle Height:

+3

+2

+1

0

Arm Mount A:

LRC HRC 1° 0.5°

Arm Mount B:

LRC HRC 1° 0.5°



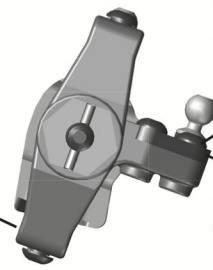
Arm Mount C:

LRC HRC 1° 0.5°



Arm Mount D:

LRC HRC 1° 0.5°

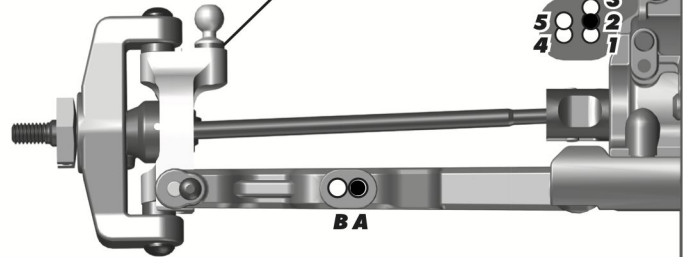


Bump Steer Spacing: 1mm

Ball Stud Spacing: 0

Steering Plate: Kit

Ball Stud Spacing: 0mm



Rear Suspension:

Ride Height:	15mm	
Camber:	-1	
Anti-Roll Bar:	None	
Wheelbase Shim:	Rear	
Wheel Hex:	5.0mm	
Hub Spacing:	Forward <input type="checkbox"/> Middle <input checked="" type="checkbox"/> Back <input type="checkbox"/>	
Gearbox Shim:	Yes <input checked="" type="checkbox"/> No <input type="checkbox"/>	
Chassis Brace:	Short <input type="checkbox"/> Long <input checked="" type="checkbox"/>	
Notes:		

Arm Mount C:

LRC HRC 1° 0.5°



Arm Mount D:

LRC HRC 1° 0.5°



Hub Insert:

+3 +2 +1 0

Rear Hub Link Setting:

Up

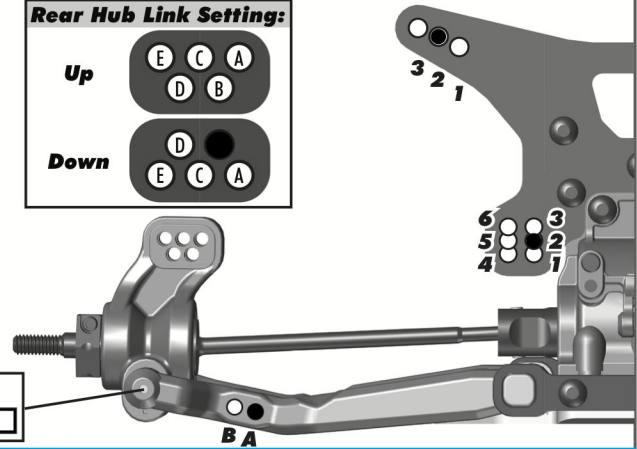
E C A

D B

Down

D

E C A



Electronics:

Radio: Sanwa	Servo: ProTek 160T
EPA: Throttle: 100% Brake: 85%	
ESC: Maclan MMAX Pro 160A	
ESC Settings:	
Motor: Team Edition MRR Brushless	
Wind: 13.5T	Timing: 48
Pinion: 26T	Spur: 78T
Battery: ProTek 6100 Shorty	
Battery Position: Middle	

Differential:

Front Fluid: 7k	
Gears: Plastic <input type="checkbox"/> Metal <input checked="" type="checkbox"/>	
Center Fluid:	
Gears: Plastic <input type="checkbox"/> Metal <input type="checkbox"/>	
Rear Fluid: 5k	
Gears: Plastic <input type="checkbox"/> Metal <input checked="" type="checkbox"/>	
Slipper Clutch:	
Type: Stock	
# of Pads: Stock	

Shocks:

	Front	Rear
Piston:	2 x 1.6	3 x 1.4
Fluid:	40wt	30wt
Spring:	Purple	Green
Limiters:	2	0
Stroke:	21mm	27.5mm
Eyelet Length:	Long	Long
Cup Offset:	5mm	0mm
Notes:		



Track Info:

Size: Small <input type="checkbox"/> Medium <input checked="" type="checkbox"/> Large <input type="checkbox"/> Extra Large <input type="checkbox"/>
Surface: Dirt <input type="checkbox"/> Carpet <input type="checkbox"/> AstroTurf <input checked="" type="checkbox"/> Multi Surface <input type="checkbox"/>
Traction: Low <input type="checkbox"/> Medium <input type="checkbox"/> High <input checked="" type="checkbox"/> Very High <input type="checkbox"/>
Moisture: Dry <input checked="" type="checkbox"/> Damp <input type="checkbox"/> Wet <input type="checkbox"/>
Condition: Indoor <input type="checkbox"/> Outdoor <input checked="" type="checkbox"/> Dusty <input type="checkbox"/> Hard Packed <input type="checkbox"/>
Bumpy <input type="checkbox"/> Grooved <input type="checkbox"/> Smooth <input checked="" type="checkbox"/> Loamy <input type="checkbox"/>
Temperature: Ambient: _____ Track: _____
Notes:

Tires:

Front Tires: humacher Stagger F
Front Compound: Yellow
Front Insert: stock (pre-mounted)
Rear Tires: humacher Mini Da
Rear Compound: Yellow
Rear Insert: stock (pre-mounted)
Wheel (F/R): umacher pre-mour
Notes:

Body, Wing, Weight:

Body: Stock
Wing: Pro-Line PRO6294-17
Wing Angle: 0° <input type="checkbox"/> 3° <input type="checkbox"/> 6° <input checked="" type="checkbox"/>
Chassis Weights:
None <input checked="" type="checkbox"/> 15g <input type="checkbox"/> 30g <input type="checkbox"/> Other <input type="checkbox"/>
Other Weights:
Total Vehicle Weight:

Vehicle Comments:

Notes: